



Surface Mount



Ceiling Mount



Flag Mount

Incorporating both Ecoglo patented photoluminescent technology and next generation LEDs, the Ecoglo Hybrid Exit Sign is the ultimate solution in emergency exit signage. Requiring no battery backup, the hybrid sign is effective in all lighting scenarios. Designed to be used in and about buildings to identify escape routes for compliance with performance based building codes, the signs will be clearly visible and readily understandable under all conditions of foreseeable use, including emergency conditions.

COMPLIANCE

Ecoglo Hybrid Exit Signs can be used in Performance Solutions to meet the performance requirements of building codes such as NFPA 101 Life Safety Code, International Fire Code (IFC), Building Code of Australia (BCA), and any other performance based building codes.

PERFORMANCE

Provides a minimum of 90 minutes of visibility after failure of the main lighting.

INPUT

120/240 Vac, 50/60 Hz, Single Sided Sign
120/240 Vac, 50/60 Hz, Double Sided Sign

RATED POWER CONSUMPTION

2.25W Single Sided Sign
4.5W Double Sided Sign

SUPPLY

The signs are currently available in one size.
'Pictogram' signs have a maximum viewing distance of 16 metres, while 'Exit' signs have a maximum viewing distance of 24 metres.

PRODUCT CODE	PRODUCT DESCRIPTION	GRAPHICS INCLUDED	MAXIMUM VIEWING DISTANCE
HYU1	Single Sided Hybrid Sign	1 x RM, 1 x RMR, 1 x RML	16 metres
HYU1-RMD	Single Sided Hybrid Sign	1 x RM Double Arrow	16 metres
HYU1-EX	Single Sided Hybrid Sign	1 x Exit	24 metres
HYU1-EXR	Single Sided Hybrid Sign	1 x Exit Right	24 metres
HYU1-EXL	Single Sided Hybrid Sign	1 x Exit Left	24 metres
HYU1-EXCB	Single Sided Hybrid Sign	1 x Exit Low Light Black	24 metres
HYU2	Double Sided Hybrid Sign	2 x RM, 1 x RMR, 1 x RML	16 metres
HYU2-RMRL	Double Sided Hybrid Sign	2 x RM Double Arrow	16 metres
HYU2-EX	Double Sided Hybrid Sign	2 x Exit	24 metres
HYU2-EXRL	Double Sided Hybrid Sign	1 x Exit Right, 1 x Exit Left	24 metres
HYU2-EXCB	Double Sided Hybrid Sign	1 x Exit Low Light Black	24 metres

Above signs include one or more of graphics shown below.



RM
Exit straight on from here



RML
Exit left from here



RMR
Exit right from here



RM DOUBLE ARROW
Exit right or left from here



EXIT
Exit straight on from here



EXIT LEFT
Exit left from here



EXIT RIGHT
Exit right from here



EXIT LOW LIGHT BLACK
Exit straight on from here

NOTE: Custom graphics can be produced to suit regional requirements.

PRODUCT FEATURES

- LED/Photoluminescent Exit Sign System
- Meets most performance based International building codes
- No batteries or backup power required for power outages
- High efficiency low power consumption LED charging source
- Works in all lighting scenarios
- Universal mount – convenient Turn & Lock™ mounting system for quick and versatile installation
- Non-toxic, non-radioactive photoluminescent technology
- UL 924 tested and listed models available
- UL certified for 120 minute operating time at 16 metres

INTERNAL SPECIFICATIONS

AC LED: standard 120/240 VAC input

SELF POWERED: Photoluminescent sealed plates to provide extended emergency duration. Performance Certified.

PRODUCT WEIGHT

Single Sided Sign: 2.34kg

Double Sided Sign: 2.79kg

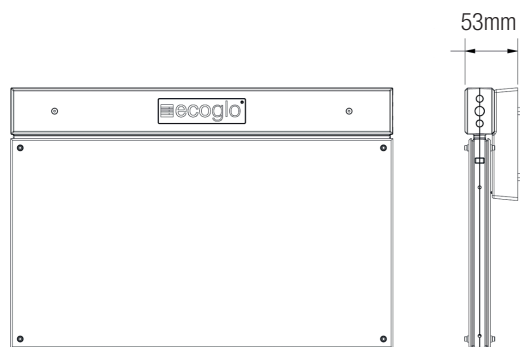
INSTALLATION

Versatile mounting hardware provides for quick installation and minimised downtime.

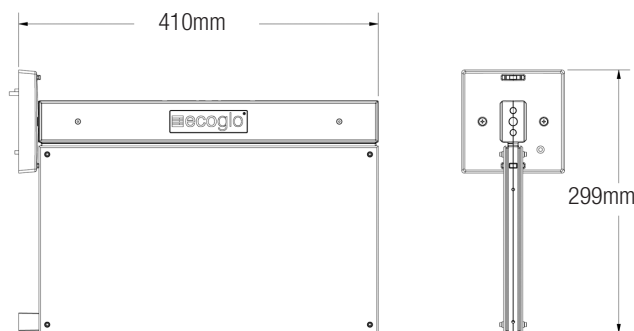
COMPREHENSIVE WARRANTY

10 years on enclosure, 5 years on LED and driver, plus 30 years on photoluminescence.

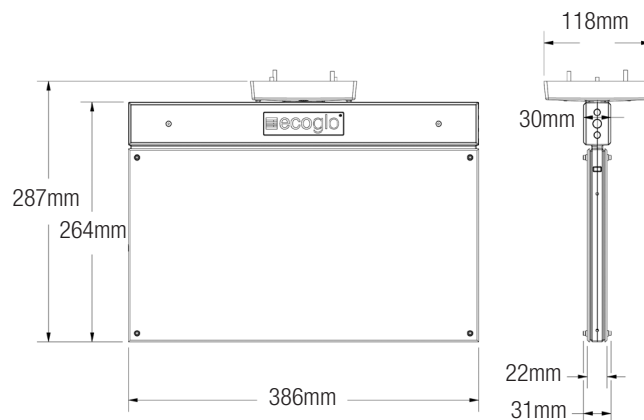
DIMENSIONS



SURFACE MOUNT



FLAG MOUNT



CEILING MOUNT



Contact

Ecoglo International Limited

Email: info@ecoglo.com Web: www.ecoglo.com